

## 25 WATT LD25W -LE & -TE Series

CONSTANT CURRENT TRIAC & ELV DIMMABLE LED DRIVERS



LE/TE DIMMING

**25W**  
LD25W LE/TE

### Model: LD25W -TE/-LE Series

- Designed for use with Triac (-LE) and ELV (-TE) Dimmers 120VAC/230VAC.
- Drive Mode: Constant Current with CCR Dimming
- Output Power: 25W Max.
- Input Voltage: 100-277VAC, 50/60Hz, No Dimmer
- Number of Outputs: One
- Output Voltages: 12VDC - 72VDC
- Output Currents: 350mA - 1040mA

### Environmental

1. Operating temperature: Tc 90C Maximum. Reference -30 to +65°C ambient
2. Storage temperature range: -40 to +85°C
3. Humidity (non-condensing): 5% - 95%RH
4. Cooling: Convection
5. Vibration Frequency: 5-55Hz/2g, 30 minutes
6. Impact resistance: 1g/s
7. MTBF@ 40°C: 402,000 hours @ Full Load per MIL-217F Notice 2.

### Safety and Compliance

1. UL8750, EN61347, CSA 22.2 safety compliant
2. FCC, 47CFR Part 15 Class B compliant
3. Water resistant and Dust Proof Design: IP66, NEMA4, for Dry, Damp, Wet Locations.
4. Compact, Lightweight Design.
5. Safety Isolation between Primary and Secondary
6. Meets EN61000-3-2 & EN61000-3-3 Class C
7. Protection: output over-voltage, output over-current, output short circuit, auto-recovery
8. EN61000-4-5: 1kV L-N, 8/20 µsec surge protection

### Electrical Specifications at 25°C

- Input Voltage: 120VAC/230VAC with dimmer, 100-277VAC Without dimmer.
- Frequency: 50/60HZ
- Power Factor: > 0.90 at 120/230VAC, Full Load (No dimmer)
- THD: <20% at 120/230Vac Vac, Full Load (No dimmer)
- Start-up Time: <1.0 Seconds Full Load (No dimmer)
- Inrush current: <10A at 25C, 120V, cold start, Max. Load
- Input current: 0.25A at 120Vac, 60Hz, Maximum Load
- Constant Current regulation: +/-5% Over Input Line Variation
- Load regulation accuracy: +/-8%
- Dimming Range: CCR Mode See Graph page 2.



IP66



### Constant Current Versions

Part Number	US Class 2	CN Class 2	Output Voltage Range	Output Constant Current	Current Accuracy	Output Power Maximum	Typical Efficiency (1)	DIMMER(2)(3)
LD25W-72-C0350-LE	NO	NO	36 - 72 VDC	350 mA	±4%	25W	86%	Incandescent
LD25W-72-C0350-TE	NO	NO	36 - 72 VDC	350 mA	±4%	25W	86%	ELV
LD25W-48-C0520-LE	YES	YES	24 - 48 VDC	520 mA	±4%	25W	85%	Incandescent
LD25W-48-C0520-TE	YES	YES	24 - 48 VDC	520 mA	±4%	25W	85%	ELV
LD25W-36-C0700-LE	YES	YES	18 - 36 VDC	700 mA	±4%	25W	84%	Incandescent
LD25W-36-C0700-TE	YES	YES	18 - 36 VDC	700 mA	±4%	25W	84%	ELV
LD25W-24-C1040-LE	YES	YES	12 - 24 VDC	1040 mA	±4%	25W	83%	Incandescent
LD25W-24-C1040-TE	YES	YES	12 - 24 VDC	1040 mA	±4%	25W	83%	ELV

### Notes

1. Typical efficiency measured at 230VAC input, full load
2. -TE Versions are ~10% to 100% CCR Dimmable with any good quality 120VAC <600W, ELV (Electronic Low Voltage) dimmer. Refer to page 2.
3. -LE Versions are ~10% to 100% CCR Dimmable with any good quality 120VAC or 230VAC <600W, Incandescent (Triac) dimmer. Refer to page 2.

25W

LD25W LE/TE

LE/TE DIMMING

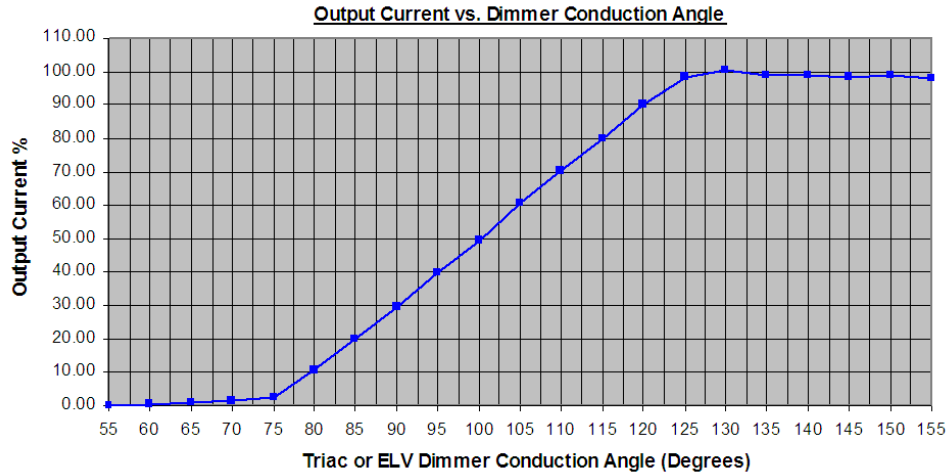


LED Optimized Drivers  
Triac & ELV Dimmable

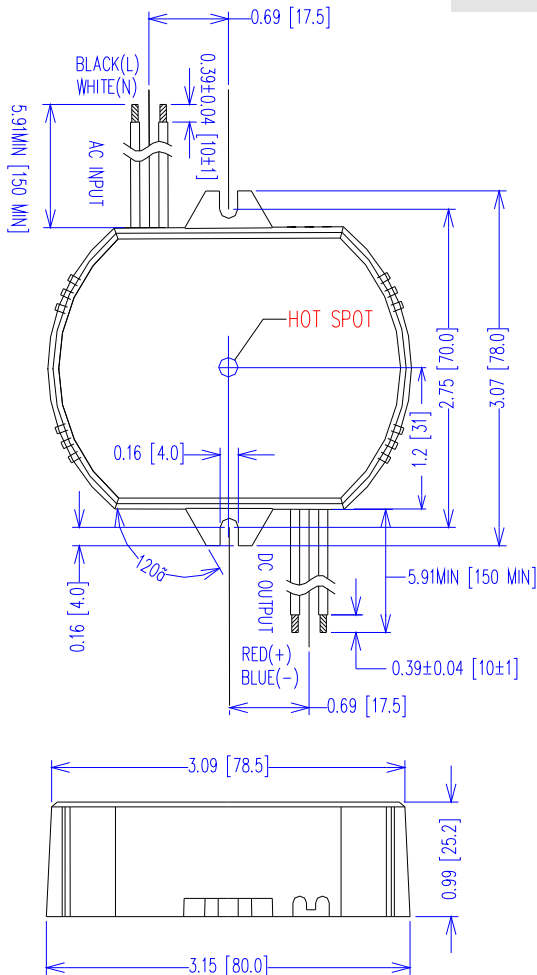
# 25 WATT LD25W -LE & -TE Series

CONSTANT CURRENT TRIAC & ELV DIMMABLE LED DRIVERS

## Typical Dimming Curves:



## Mechanical Dimensions: Inches [mm]



Material: Black PC ABS Plastic Case  
Fully Encapsulated  
Weight: 198 grams (7.0 oz) Typical

## Labeling Example

AC INPUT  
L = BLACK  
N = WHITE

LED Optimized Driver  
EPtronics, Inc.  
www.EPtronics.com  
800 643-0688 / 610 538-0700

Part Number: LD25W-36-C0700-LE  
Input Voltage: 100-277 VAC 50/60 Hz  
Input Current: 0.35 Amp Max  
Output Voltage: 18-36 VDC  
Output Current: 700 mA CCR Dimmable  
Output Power: 25Watts Maximum  
UL & cUL Class 2 Output  
Incandescent Dimmable

UL US IP66 E325626

RoHS

FC

CE

DC OUTPUT  
+ = RED  
- = BLUE

HG REV A1 Made in China