

EP-PRG-01

EPtronics Interface Programming Tool



PROGRAMMING

Tool
EP-PRG-01

Introduction:

The EP Interface Programming Tool is a programming and configuration tool for EPtronics intelligent programmable LED drivers. It consists of the EP-PRG-01 EP Programming Interface which is connected between the USB port of a computer and the LED driver being programmed, and the EP Interface Programming Tool software. The EP Interface Programming Tool software is a PC based graphical user interface that allows the user to program and configure the operating parameters of an EPtronics Programmable LED Driver. This interface allows the operator to set the LED drivers output current within its specified range, in the increments specified. It also provides the ability to enable/disable and control features like “Dimming”, “Auxiliary Output”, “NTC Thermal Protection”, “Constant Lumen Module” & “End-of-life indicator” when available in the EPtronics intelligent LED driver being programmed.

EP-PRG-01 EP Interface Programming Tool:

Is the physical interface unit connected between the USB port of a computer and the LED driver being programmed. This unit also provides all power required to the LED driver being programmed. No connection to an AC power source is required for programming the LED driver.

EP Interface Programming Tool Software:

Available for Download: <http://www.EPtronics.com/tools-and-resources/EPInterfaceProgrammingTool.zip>

The EP Interface Programming tool software is the windows based GUI that allows the user to assign custom values to the LED driver being programmed. The user can then save the profile to an excel file with a customized part# and recall as needed. The user can then use the "Auto Program" feature to quickly program as many LED drivers with the saved profile as is required. Each driver programming simply requires a click of the mouse to program in a single step or one can purchase an EP Programming Cradle which only requires part be inserted then removed from cradle.

The EP Interface Programming Tool software supports bar code scanners. The barcode scanner can be used to automate the programming of the attached LED driver. This barcode scanner interface also provides an option to either enable or disable logging of the parameters to an excel file.

Note: The programming of the LED driver does not require the input be connected to an AC power connection. The LED driver circuitry will be powered from the EP-PRG-01 EP Programming Interface via the USB connection to a computer.

EP-PRG-01 EP Interface Programming Tool

Includes:

EP-PRG-01 Interface Module

USB Computer Cable USB A Male to USB B Male 1.0 Meter Long (Computer to EP-PRG-01)

USB I2C Cable USB A Male to USB MINI B Male 0.5 Meter Long (EP-PRG-01 to I2C Programmable Drivers)

USART TxD/RxD Connector & Cable 153mm Long (EP-PRG-01 to TxD/RxD Programmable Drivers)

EP-PRG-01

EPtronics Interface Programming Tool

EP-PRG-01 Included Items:

Interface Hardware Items:



EP-PRG-01 Interface



USB A to B (Computer)



USB A to MINI B I2C



TxD/RxD Connector

Assembled Hardware & cabling:



Optional Items:

- EP-CRADLE-01 EP Programming nest for LP25W & LP40W (Includes USART Programming cable)
- EPtronics LED Driver(s) from the compatible LED Driver list on our Website
- Linear Image Barcode Scanner

EP-PRG-01

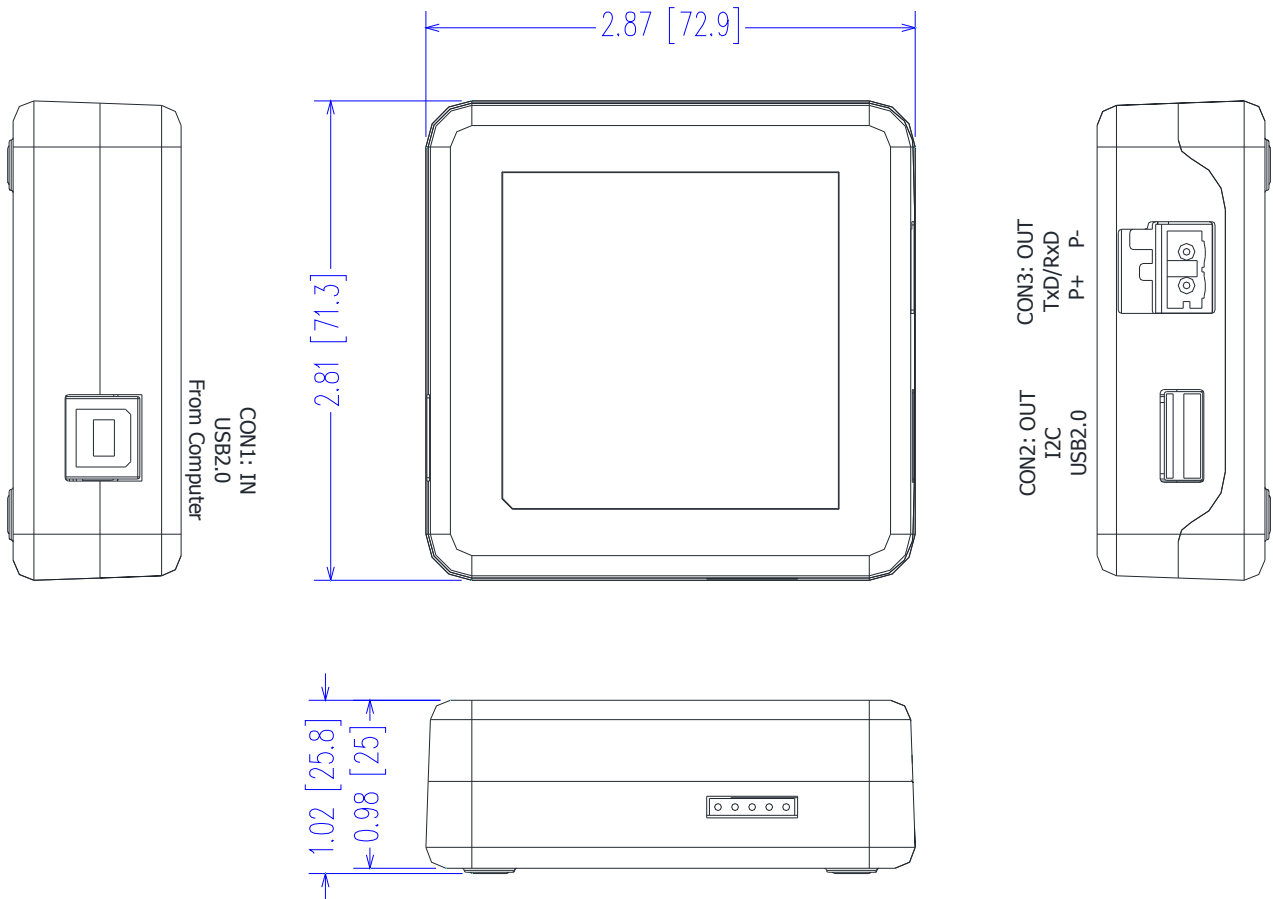
EPtronics Interface Programming Tool

Tool
EP-PRG-01
 PROGRAMMING

Mechanical Dimensions: Inches [mm]

Material: Plastic Housing
 Weight: 2.4 oz (67 grams) Typical

Labeling Example



Tool

EP-PRG-01

PROGRAMMING



LED Optimized Drivers

EP-PRG-01

EPtronics Interface Programming Tool

