



US00D774936S

(12) **United States Design Patent**
O'Neil

(10) **Patent No.:** **US D774,936 S**

(45) **Date of Patent:** **** Dec. 27, 2016**

(54) **OCCUPANCY SENSOR**
(71) Applicant: **EuControls Corporation**, Gardena, CA (US)
(72) Inventor: **Tom O'Neil**, Torrance, CA (US)
(73) Assignee: **EUCONTROLS CORPORATION**, Gardena, CA (US)

D294,808 S * 3/1988 Zeigler D10/116.1
D297,316 S * 8/1988 Mastro D10/106.2
D304,309 S * 10/1989 Vories D10/106.1
D308,646 S * 6/1990 Grilk D10/106.1
D320,758 S * 10/1991 Lutz D10/104.1
D325,356 S * 4/1992 Kin Man Tse D10/106.1
5,221,919 A * 6/1993 Hermans G08B 13/193
250/342
D749,050 S * 2/2016 Zheng D13/158
2014/0043733 A1 * 2/2014 Huang H05B 37/0227
361/679.01

(**) Term: **15 Years**

* cited by examiner

(21) Appl. No.: **29/548,826**

(22) Filed: **Dec. 16, 2015**

(51) **LOC (10) Cl.** **10-05**

(52) **U.S. Cl.** **D10/104.1**

(58) **Field of Classification Search**
USPC D10/75, 104.1, 106.1-106.9, 116.1, 118, D10/118.1, 118.2, 119.1, 121, 125, 126, D10/132; D8/401; D13/158, 184; D14/159
CPC G08B 17/06; G08B 17/10; G08B 17/103; G08B 17/107; G08B 21/12; G08B 21/22; G08B 15/00; H04M 11/02; H04M 11/025; H04N 7/186

See application file for complete search history.

(56) **References Cited**

U.S. PATENT DOCUMENTS

D254,728 S * 4/1980 Mitumori D10/116.1
D294,231 S * 2/1988 Cameron, Jr. D10/106.6

Primary Examiner — George D Kirschbaum
Assistant Examiner — Joseph Kukella
(74) *Attorney, Agent, or Firm* — Clement Cheng

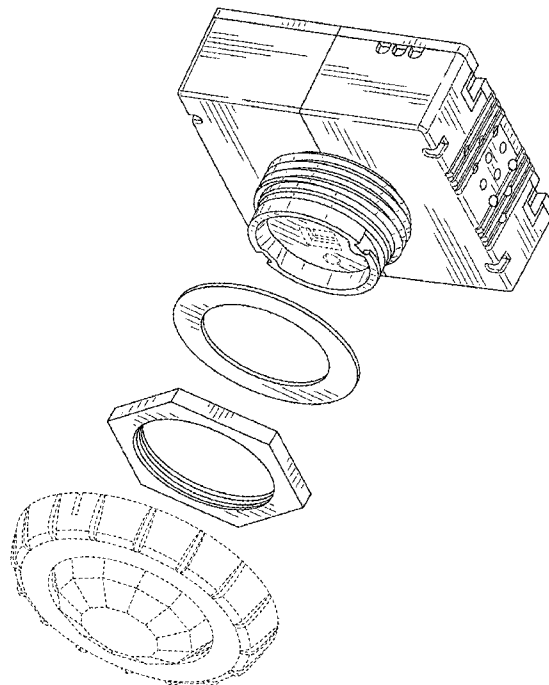
(57) **CLAIM**

The ornamental design for an occupancy sensor thereof, as shown and described.

DESCRIPTION

FIG. 1 is an exploded perspective view of my ornamental design for an occupancy sensor;
FIG. 2 is a perspective view, thereof;
FIG. 3 is a rear view, thereof;
FIG. 4 is a front side view, thereof;
FIG. 5 is a right side view, thereof;
FIG. 6 is a left side view, thereof;
FIG. 7 is a top view, thereof; and,
FIG. 8 is a bottom view, thereof.

1 Claim, 8 Drawing Sheets



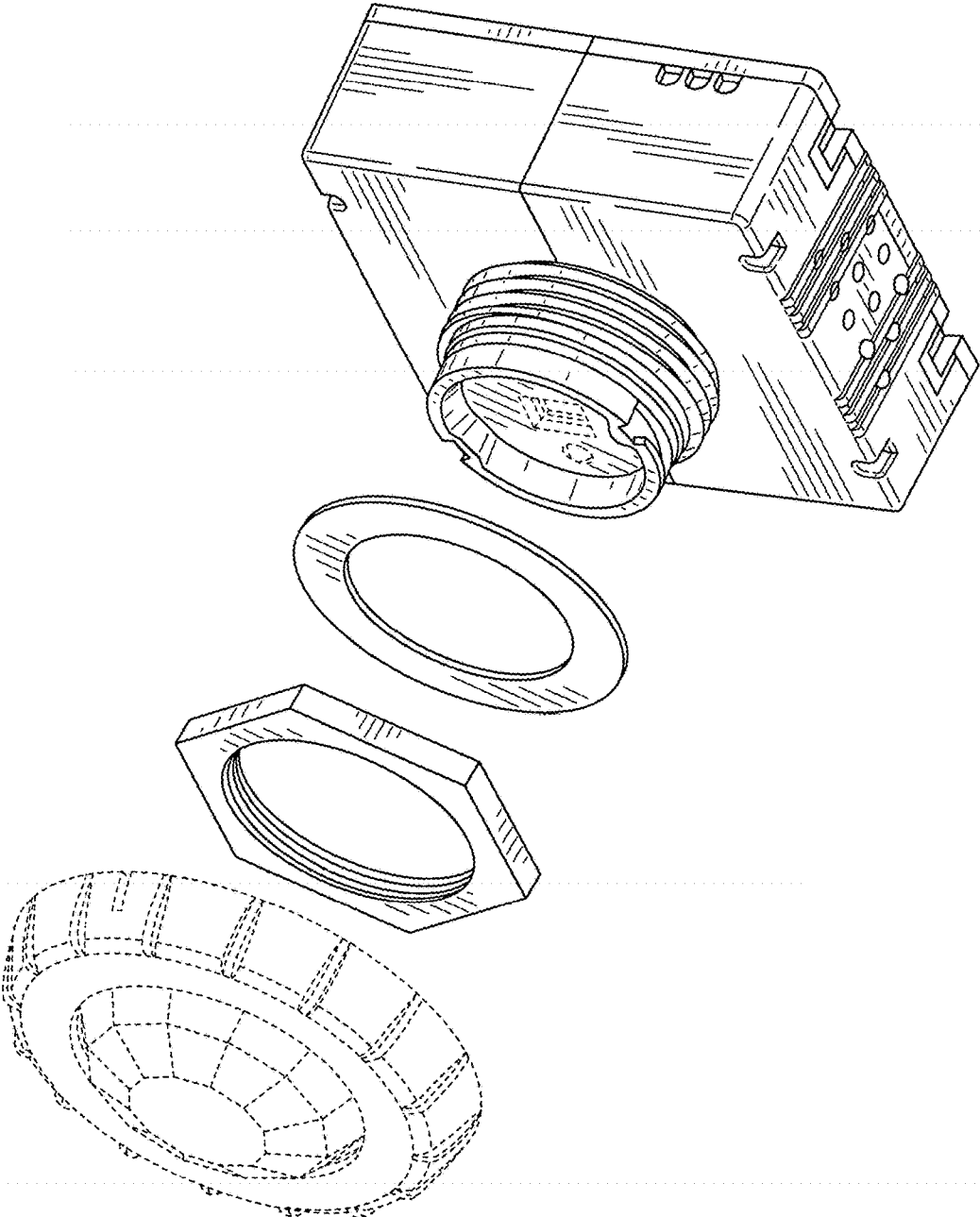


FIG. 1

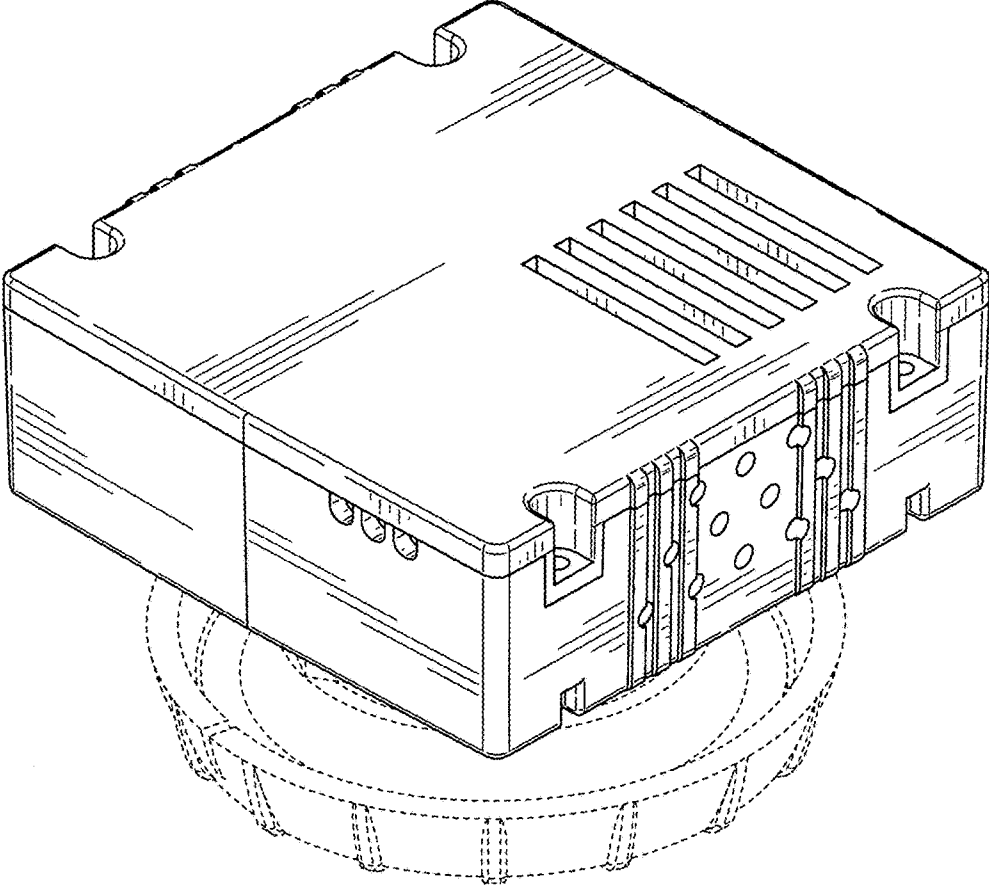


FIG. 2

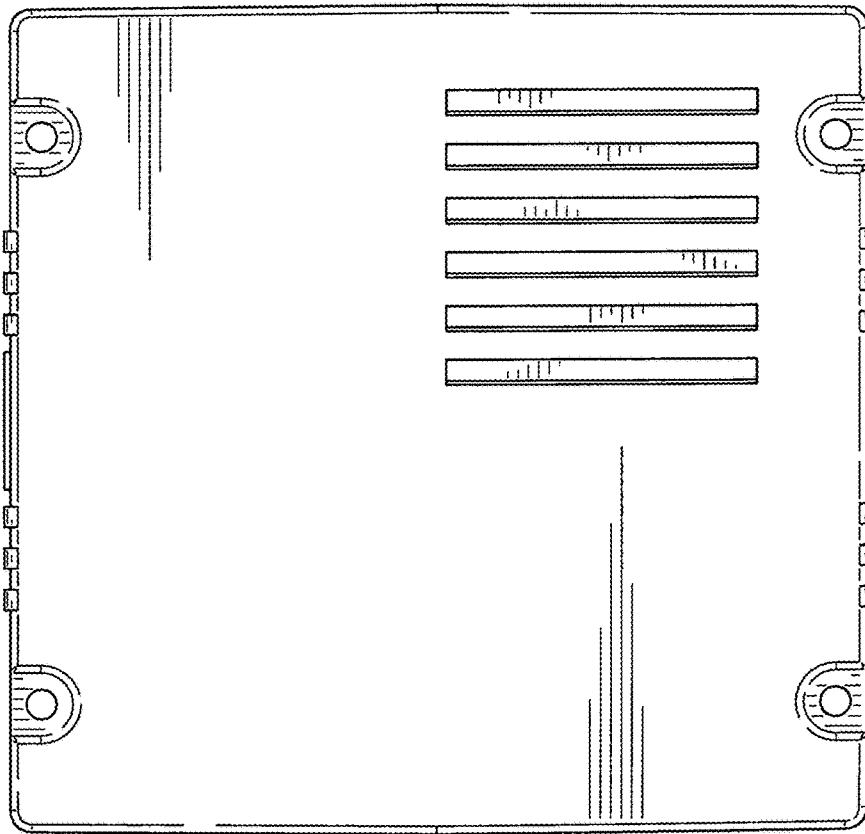


FIG. 3

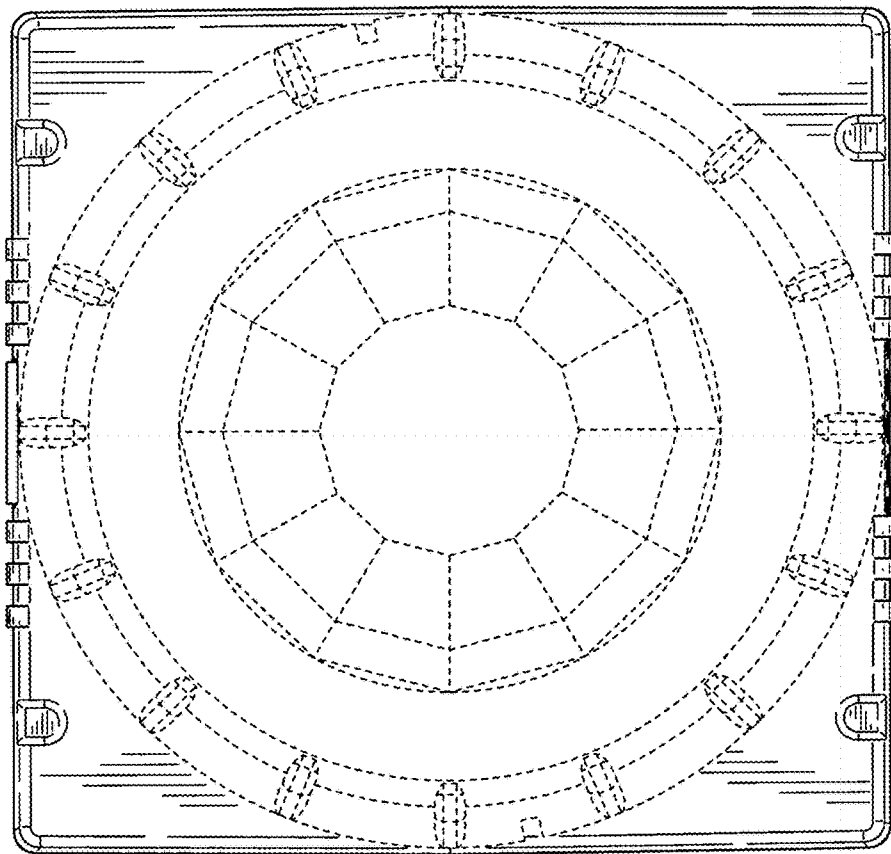


FIG. 4

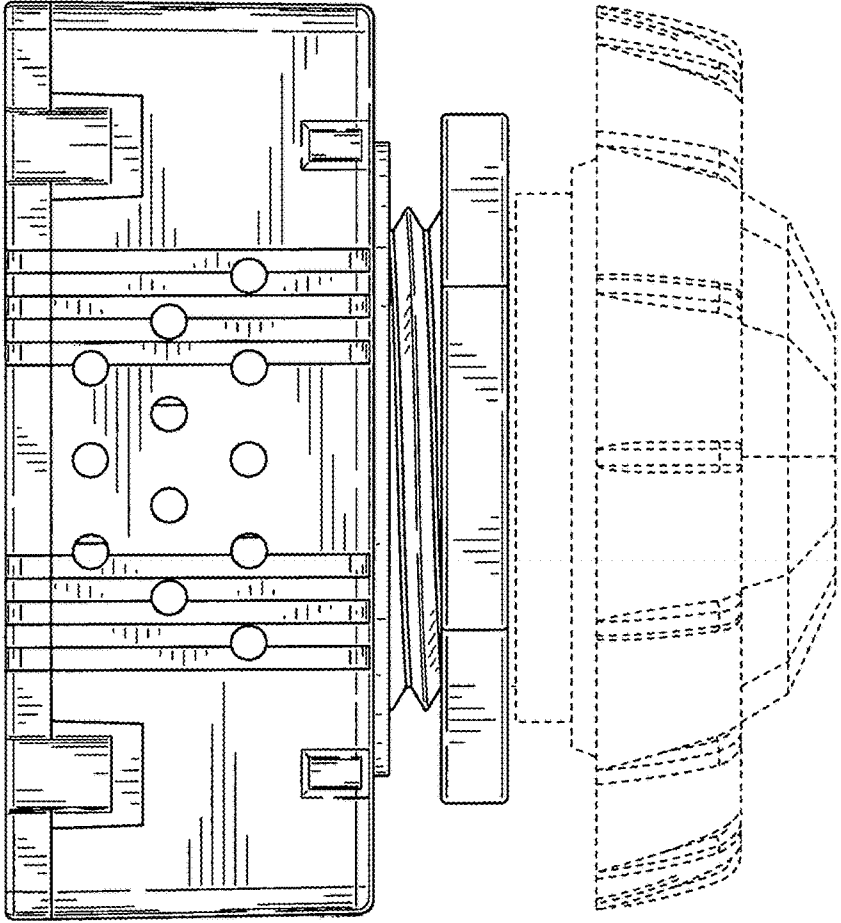


FIG. 5

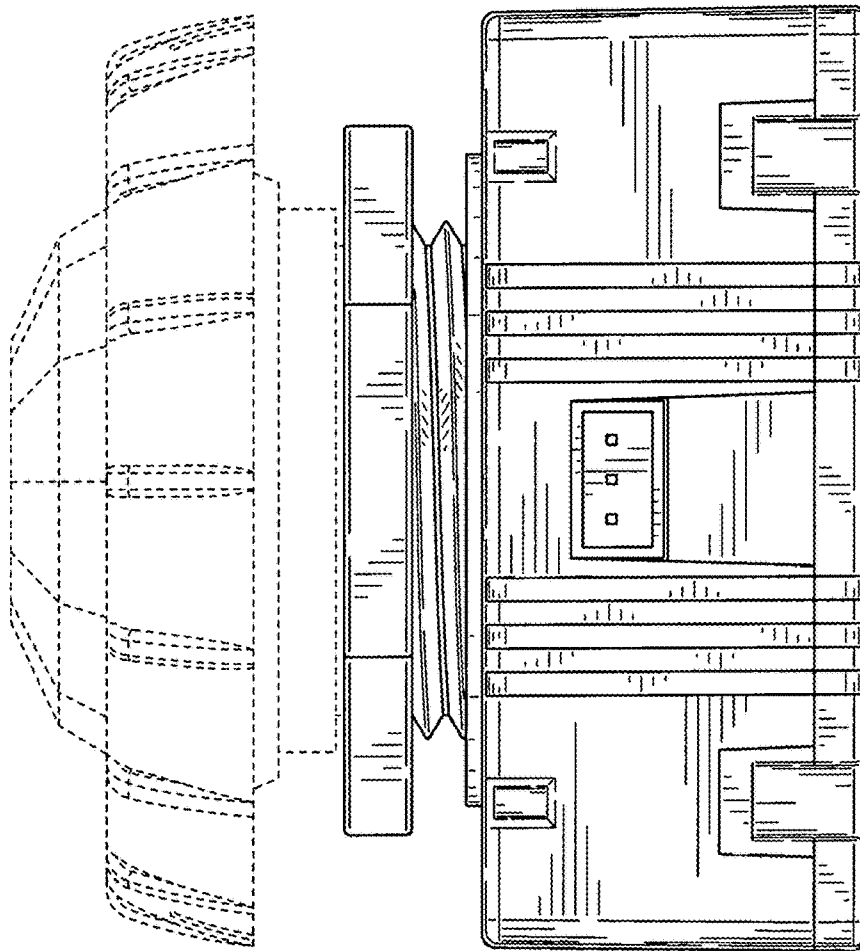


FIG. 6

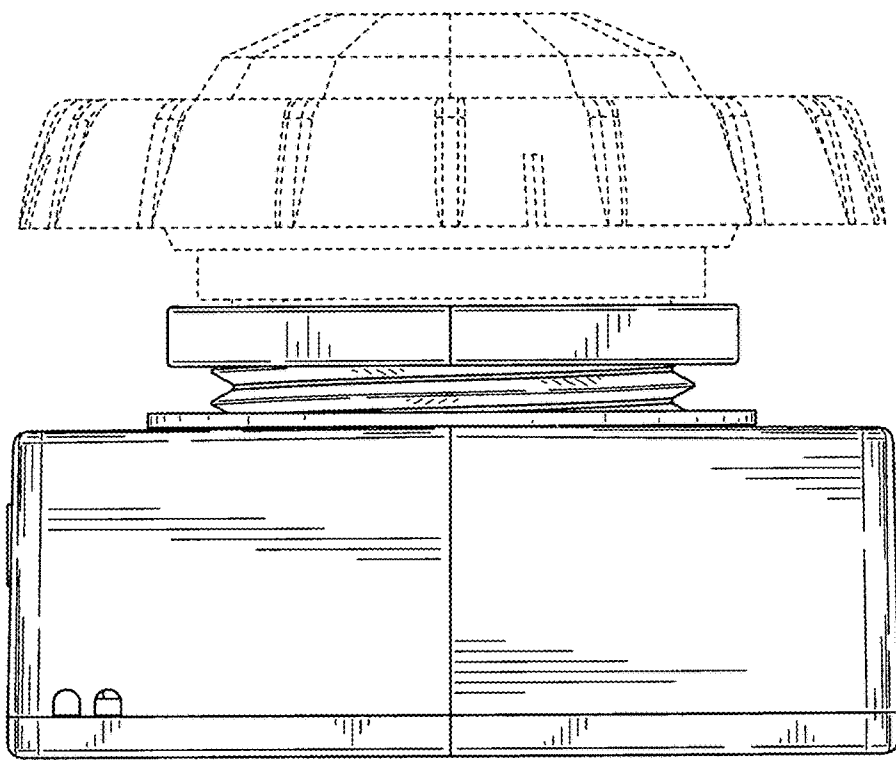


FIG. 7

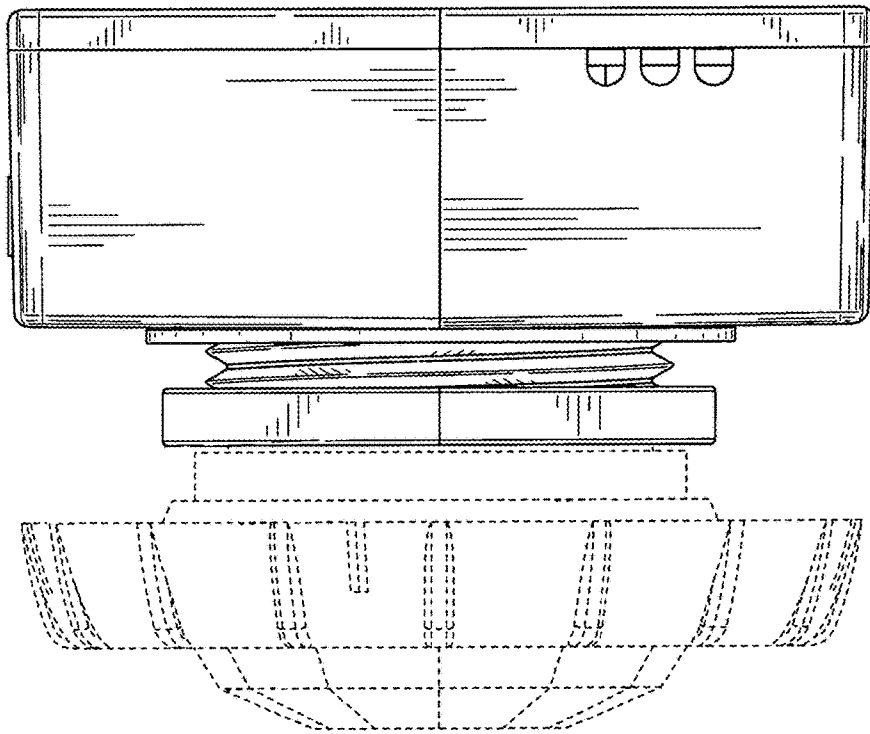


FIG. 8